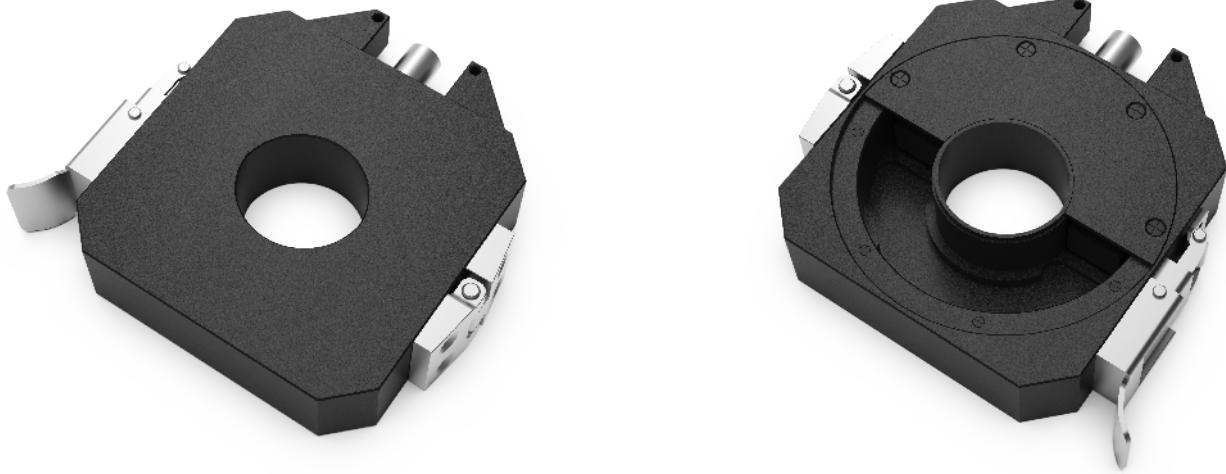


HFCT 39mm

High Frequency Current Transformer 39mm Clamp is an inductive sensor for Partial Discharge detection.

It can provide a very accurate, non-contact, non-destructive PD signal for all kinds of PD detectors. It is suitable for on/off line PD tests on many electrical systems such as transformers, reactor, cables, and rotating machines.



Application

HV/MV CABLES:

Under 1000kV transformer, reactor, bushing, cables and rotating machines;

Under 110kV cables.

Connection:

It can be fixed directly to the grounding connection of the system under test without disconnecting.

Cautions

Do NOT let the sensor contact permanent magnet material for a long time.

Make sure lock tightly before the test.

Make sure the current direction is the same as the arrow pointing in the sensor.

Online PD Monitoring:

HFCT can do PD measurement without disconnection.

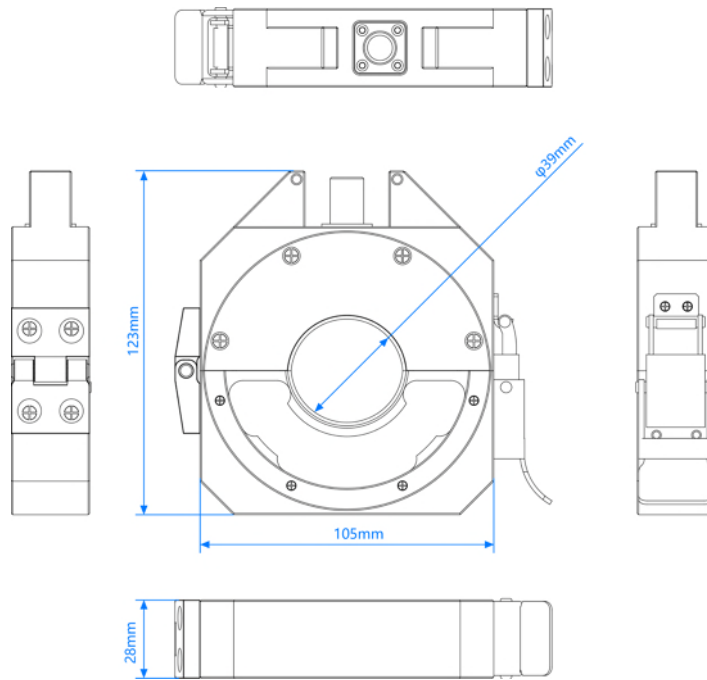
It can be carried out without an outage.

POWER SUPPLY FREE:

HFCT sensors don't need any power supply, just need a connection with the main device.

HFCT 39mm

Mechanical Specification



Technical Data

Frequency range	0.3~100 MHz
Transfer impedance	≥ 18 mV/mA(max)
Load Impedance	50 Ω
Operating temperature	-60 °C ~ 80 °C
Sensitivity	≤ 1 pC
Connection	BNC / TNC(Optional)
Protection Degree	IP57 / IP68(Optional)

HFCT Sensor Range

HFCT sensor	Inner hole diameter	Dimensions
$\varnothing 39$	39	123 * 123 * 28 mm
$\varnothing 50$	50	123 * 123 * 28 mm
$\varnothing 60$	60	145 * 143 * 28 mm
Q106	—	190 * 90 * 30 mm